

## Ceiling Sweep Fan

AFLR48

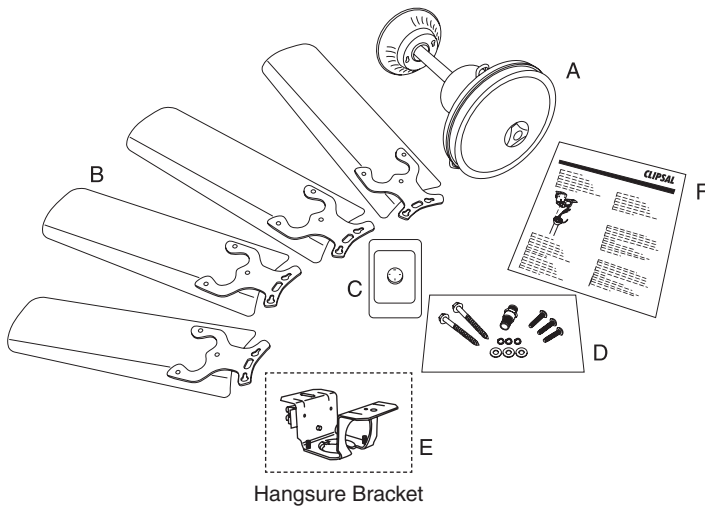
# Installation Instructions

REGISTERED DESIGN • REGISTERED PATENT

Thank you for purchasing this Airflow Ceiling Sweep Fan. You can be assured of trouble free operation for years by installing your ceiling fan carefully and according to these instructions. Please read all the instructions before commencing, then complete each step in order.

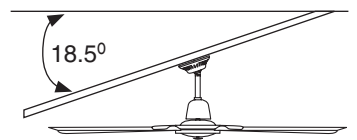
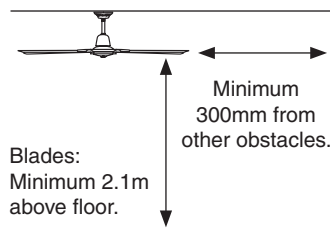
### Included with your Fan

- |                               |                       |
|-------------------------------|-----------------------|
| A. Motor Assembly             | D. Screw Pack         |
| B. Four Blades                | E. Mounting Bracket   |
| C. Three Speed Fan Controller | F. Instruction Sheet. |



All electrical work must be carried out by a qualified electrician.

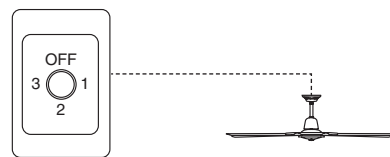
### Clearances and Angled Ceilings



**Hangsure Mounting**  
Suitable for pitched ceilings with a maximum angle of 18.5°.

### Controlling a Single Fan

This fan has been supplied with a quality Clipsal Three Speed Controller that is designed to operate a single fan.

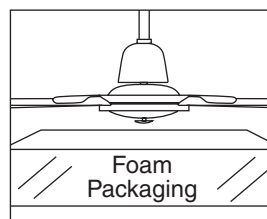
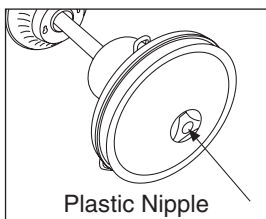


### IMPORTANT NOTES

- To ensure proper balance, the blades are a matched set. Do not mix-up the blades with those from another fan.
- Transport and transit handling may loosen factory fitted cables. Please check and secure terminal screws before installation.

### Protecting the Fan

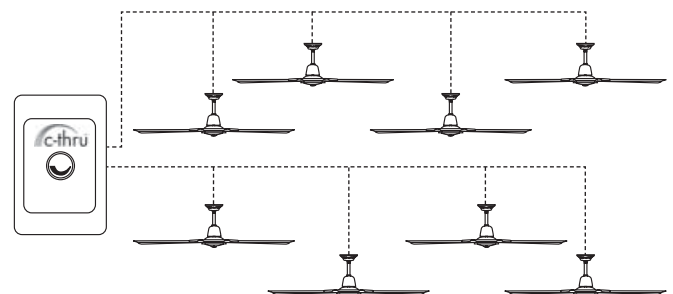
Do not place the motor directly onto a flat surface.



The plastic nipple underneath the motor cannot support the weight of the motor and may be easily damaged. When working on the fan, place the motor on the foam packaging with the nipple located in one of the recesses. This protects the nipple and the finish.

### Multiple Fans on a Single Controller

You can control up to eight Airflow Fans using a Clipsal C-Thru™ Electronic Fan Controller (purchased separately).



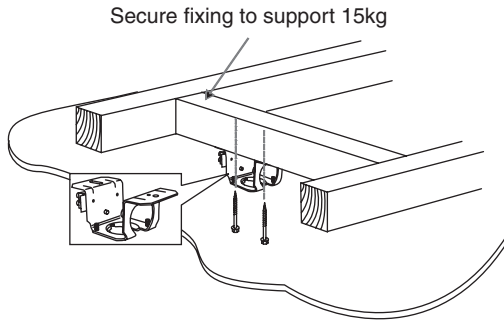
**NOTE: The three speed capacitor controller supplied with each fan is not suitable for controlling multiple fans.**

## 1.0 Mounting the Fan Support Bracket

Select a suitable location to mount the fan support bracket. The mounting bracket must be fixed to a solid structural member such as a ceiling joist or a securely fixed noggin and be capable of supporting 15kg.

Additionally, it must be located so as to provide the blade with a minimum clearance from the floor of 2100mm, and from other obstructions of at least 300mm.

### Hangsure Mounting

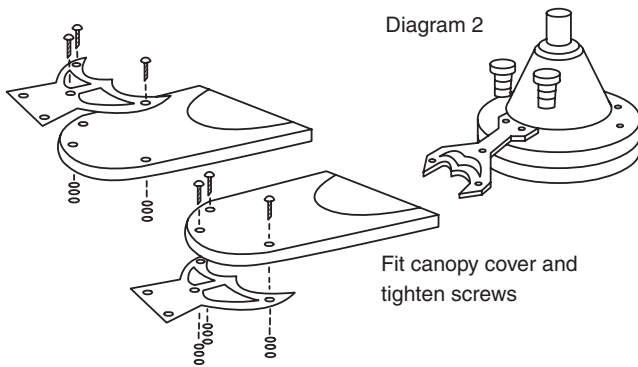


## 2.0 Fitting the Blades

Fit the blades onto the fan motor, as shown in Diagram 2.

### Rattan blades

Fit blades with screws and washers provided as illustrated in Diagram 2. Rattan blades may be mounted above or below the metal brackets and blades may be mounted with either side facing up.



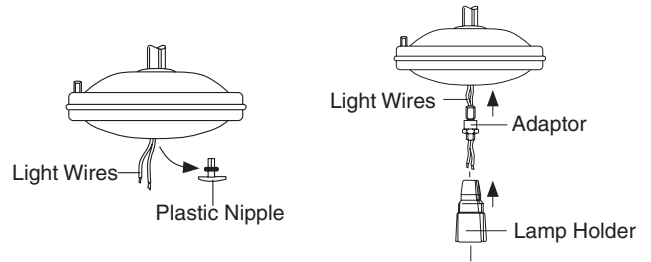
## 3.0 Connecting the Light Fitting

If you are attaching a light fitting to the fan, do so prior to hanging the fan.

### NOTE:

Clipper Light (CL) and Oyster Light (OL) may be installed in fans which are constructed for this purpose.

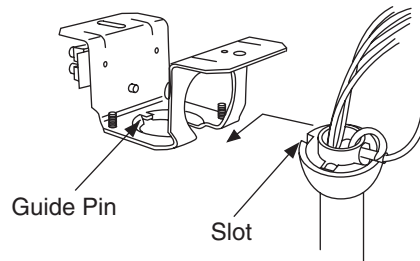
1. Unscrew the plastic nipple from the bottom of the motor housing.
2. Pull out the light wires from the motor housing for connection with the lamp holder.
3. Insert the light wires through the adaptor, then screw the adaptor into the motor shaft.
4. Connect the light wires to the lamp holder then screw the lamp holder and the adaptor together firmly.



## 4.0 Hanging the Fan

### Hangsure Bracket

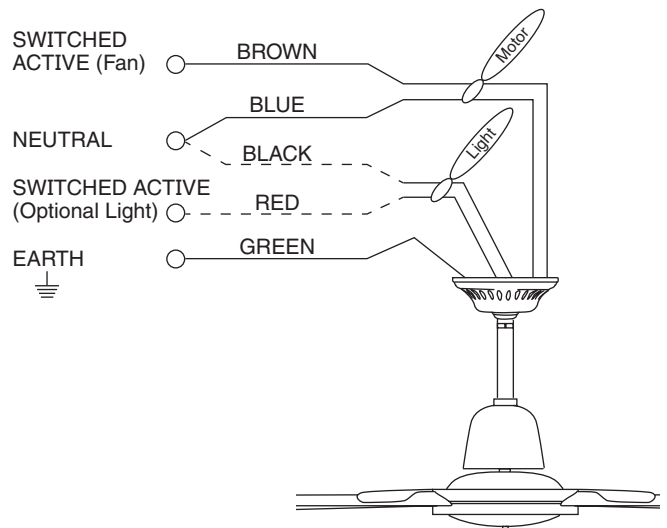
Position the ball-joint in the bracket so that the guide pin on the bracket engages in the slot of the ball-joint.



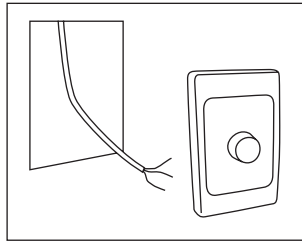
## 5.0 Connecting the Fan

All Airflow Ceiling Sweep Fans are pre-wired to allow for a light to be fitted onto the fan.

If you are not fitting a light to the fan, please disregard the light wires. The wires are connected to the incoming wiring as illustrated in the below diagram.



## 6.0 Connecting the Speed Controller



Fan Only

All Airflow Ceiling Sweep Fans come complete with a three speed flush fitting capacitor controller.

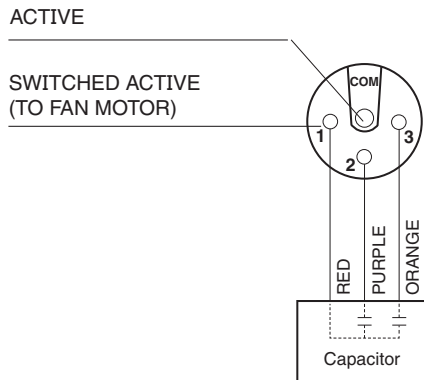
This controller fits to standard 84mm fixing centres, the same as a normal switch or power point.

Although supplied standard in the vertical format, the mechanism can be rotated 90° to provide a horizontal format if required.

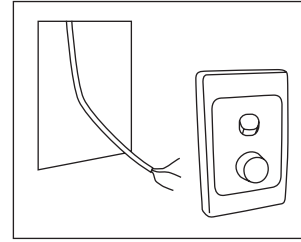
Three is the highest speed, one is the lowest.

- Remove switch surround.
- Terminate cables as illustrated in the below diagram.
- Active to Common and Switched Active to terminal one.
- Fix controller to wallbox or bracket using screws provided.
- Screws may need to be shortened for some applications.
- Replace switch surround.

### Rotary Switch Mechanism



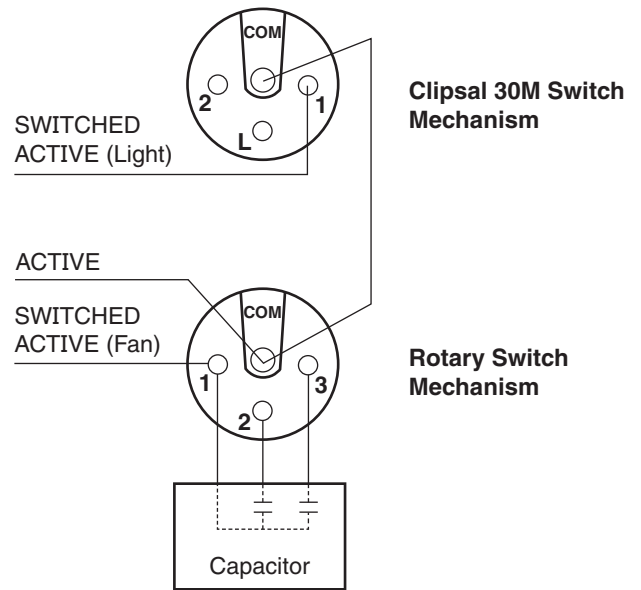
## 7.0 Connecting the Speed Controller with a Light Switch



Fan with Light

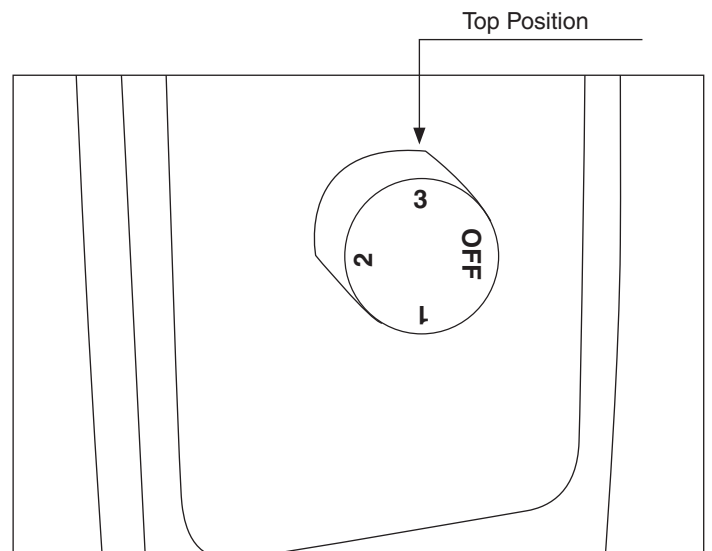
Requires additional components (not supplied with this fan) including;

- Clipsal 30M Switch Mechanism
- Two Gang Grid Plate and Cover.



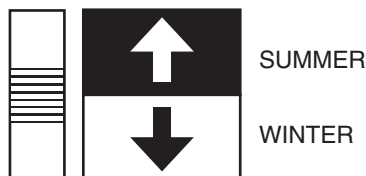
## 8.0 Operating Instructions

- Turn the knob to speed 3 (top position). This will start the blades spinning.
- Once the blades are spinning you can select a lower speed if desired.
- The speed setting is always located at the top position of the knob as illustrated below.



## Summer/Winter Settings

The forward/reversible switch is located on the bottom cowl.



Check switch and make sure it is in correct setting, depending on cold weather or hot weather.

Cold weather: Push switch down for the blades to circulate the warm air trapped near the ceiling.

Hot weather: Push switch up for the blades to create a breeze and circulate the air.

### NOTE:

The forward/reversible switch must be fully engaged for the fan to operate.

## Cleaning Instructions

To clean the fan, wipe over with a damp, soapy cloth. Do not use scourers or abrasive cleaners.

## ALL ELECTRICAL WORK MUST BE CARRIED OUT BY A QUALIFIED ELECTRICIAN.

## Troubleshooting Guide

### Fan will not switch on:

- Switch off the fan. Then check the following:
- Forward/reverse switch on fan motor not fully engaged in desired setting.
- Connections not as per installation diagram.
- Fuse blown, circuit breaker tripped or there is a power failure.

### Fan will not operate at varying speed control settings:

- Controller connections not as per page 3.

### Ticking, rattling, mechanical noises.

- Ensure all screws and bolts are tight.
- Ensure the mounting assembly is secure.
- Ensure the lower canopy is clear of the motor.
- When mounting, ensure the top canopy is clear of the ceiling by 5 to 10mm to allow for slight movement of the fan
- Ensure the wires are not tapping against the canopy.

### WARNING:

- **Do not** attempt to stop the blades by hand, even at low speed
- This appliance is not intended for use by persons (including children) with reduced physical, sensory or mental capabilities, or lack of experience and knowledge, unless they have been given supervision or instruction concerning use of the appliance by a person responsible for their safety. Children should be supervised to ensure that they do not play with the appliance.

For further technical support contact Clipsal National Customer Care on 1300 2025 25.

ALSO AVAILABLE FROM **CLIPSAL**

### C-Thru™ Electronic Fan Controllers



- Rapid Fan Start Feature
- Variable Speed Adjustment
- Control up to Eight Airflow Fans
- Multiple Plate Styles Available.

## Warranty

The benefits conferred by this warranty are in addition to all implied warranties, other rights and remedies in respect of the product which the consumer has under the Trade Practices Act and similar State and Territory Laws.

The original purchaser of this Airflow Ceiling Sweep Fan is provided with the following warranty, subject to the following conditions:

Clipsal Australia Pty Ltd warrant this product for a period of three years from the date of purchase for all parts defective in workmanship or materials. All products used in commercial applications are limited to a 90 day warranty.

All defective parts will be replaced free of charge.

The following exclusions do not preclude the purchaser from those statutory rights consumers have under the Trade Practices Act or similar State and Territory Laws.

### WARRANTY CONDITIONS:

1. This warranty is only valid for appliances installed according to the manufacturers instructions.
2. **This appliance must not be modified or changed in any way and all electrical connections must be carried out by a qualified electrician only**
3. Connection must be to the voltage requirements as specified in the ratings label located on the product.
4. The manufacturer does not accept liability for any direct or consequential damage, loss or other expense arising from misuse or incorrect installation and operation of the appliance.
5. Warranty will only be given where proof of purchase is provided, eg. original invoice.
6. For warranty to be valid, only Airflow accessories such as down rods and light kits, shall be installed with the Airflow Ceiling Sweep Fan.

### IMPORTANT

Record this warranty information at the time of purchase but do not send this information unless you are making a claim or are asked to do so.

To obtain service under warranty you must retain your original purchase receipt, service will otherwise be charged at current rates.

Model No.: \_\_\_\_\_

Purchase from: \_\_\_\_\_

Name: \_\_\_\_\_

Address: \_\_\_\_\_

\_\_\_\_\_ Postcode: \_\_\_\_\_

Date of purchase: \_\_\_\_\_

Product of Clipsal Australia Pty Ltd

A member of Schneider Electric

Contact us: [clipsal.com/feedback](http://clipsal.com/feedback)

National Customer Care Enquiries:

**Tel 1300 2025 25 Fax 1300 2025 56**

**clipsal.com**

Clipsal Australia Pty Ltd reserves the right to change specifications, modify designs and discontinue items without incurring obligation and whilst every effort is made to ensure that descriptions, specifications and other information in this catalogue are correct, no warranty is given in respect thereof and the company shall not be liable for any error therein.

© Clipsal Australia Pty Ltd. The identified trademarks and copyrights are the property of Clipsal Australia Pty Ltd unless otherwise noted.